

Tires and Wheels for Light Service



Tires for Light service

The tires for light service are designed for farming, industry, turf, snow and high speed service and are suitable for rims up to 16 inches in diameter.

In this product segment, Trelleborg has one of the largest ranges in the world.

Together with the wide range of wheels, Trelleborg can supply complete wheel solutions to customers, in high quality and perfect design.

DRIVER



Green area tire for professional use.

GARDENER



Green area tire for hobby machines.

T49



High Speed tire with high shoulder profile.

T63



Farming tire with traction pattern.

T94



Industry tire with combined pattern.

T411



Combined pattern for green area and farming.

T412



Combined pattern for green area and farming.

T413



Combined pattern for green area and farming.

T415



Tire for small compact machines used for digging, drilling and loading.

T421



Farming tire especially made for plowing.

T430



Farming and green area tire with round shoulder profile.

T439



Farming and green area tire with round shoulder profile.



Printed on recycled paper

T446



Farming tire with easy rolling pattern.

T448



Farming tire with extra strong tread and easy rolling pattern.

T462



Farming tire with traction pattern.

T463



Wide farming, garden and snow tire with traction pattern.

T501



High speed tire with easy rolling pattern.

T510



Farming tire with especially easy rolling pattern.

T513



Farming tire with extra good sidewall stability.

T521



Smooth pattern tire for green area.

T522



Industry, farming and green area tire with smooth pattern.

T523



High Speed or industry tire with high shoulder.

T528



Tire especially made for snow machines.

T530



Industry tire with good grip and low roll resistance.

T533



High Speed tire with combined pattern.

T536



Farming tire with combined pattern.

T537



Combined tire for green area, farming and industry.

T539



Combined tire for green area, farming, industry or high speed service.

T550



Skid Steer tire with good grip and comfort.

T559 Turf Grip



Combined tire for green area, farming and industry.

T560 ICE



For detachable chairlifts. Designed to perfectly work at very low temperature.

T570



Skid Steer tire with good grip and comfort and long lifespan.

T690



High Speed tire with high shoulder.

H700



Combined tire for farming and seeding.

T991



Industry and farming tire with rounded shoulder.

HIGH GRIP



Tire for green areas with good grip.

TRACTION



Farming tire with good grip.

Technical specifications

TIRES 3"

SIZE	PR/LI	TREAD PATTERN	MAIN RANGE OF USE	RIM	PERMITTED RIMS	OD in/mm +/-1,5%	SW in/mm +/-2%	MAX. AIR PRESSURE psi	MAX. LOAD Lb/kg	SPEED mph (km/h)	RC in/mm +/-2,5%
2.50-3	4	T510	Industrial	1.50	1.75	8.5/216	2.9/74	116	280/125	16 mph (25)	25.3/642
	4	T510 Grey	Industrial	1.50	1.75	8.5/216	2.9/74	116	280/125	16 mph (25)	25.3/642

TIRES 4"

SIZE	PR/LI	TREAD PATTERN	MAIN RANGE OF USE	RIM	PERMITTED RIMS	OD in/mm +/-1,5%	SW in/mm +/-2%	MAX. AIR PRESSURE psi	MAX. LOAD Lb/kg	SPEED mph (km/h)	RC in/mm +/-2,5%
3.00-4	4	T513	Industrial	2.10	2.5-5	10.7/272	3.3/83	51	230/105	20 mph (30)	31.8/808
	4	T991	Farming	2.10	2.5-5	10.2/260	3.5/88	51	230/105	20 mph (30)	30.4/772
	6	T991	Farming	2.10	2.5-5	10.2/260	3.5/88	73	300/135	20 mph (30)	30.4/772
	6	T530	Industrial	2.10	2.5-5	9.9/252	3.3/83	87	440/200	16 mph (25)	29.6/751
4.00-4	4	T513	Industrial	3.00		12.4/315	4.5/114	41	340/155	20 mph (30)	36.9/936
	6	T991	Farming	2.50C	3.00	12.3/312	4.4/113	62	420/190	20 mph (30)	36.5/927
NEW 4.10-4	4	T991 Grey	Farming	2.50Cx4	3.00x4	12.5	4.6	41	340	-	36.1
11x4.00-4	2	T537S TL	Green Area	2.75A	3.25A	10.9/276	4/104	41	360/165	20 mph (30)	32.3/820
100/100-4	60A8/48A8	T539	Industrial	2.5		12/304	3.9/98	87	550/250	25 mph (40)	35.7/908

TIRES 5"

SIZE	PR/LI	TREAD PATTERN	MAIN RANGE OF USE	RIM	PERMITTED RIMS	OD in/mm +/-1,5%	SW in/mm +/-2%	MAX. AIR PRESSURE psi	MAX. LOAD Lb/kg	SPEED mph (km/h)	RC in/mm +/-2,5%
100/75-5	42A8/30A8	T539 TL	Green Area	3.00A		10.9/277	3.9/98	46	330/150	25 mph (40)	32.7/830

TIRES 6"

SIZE	PR/LI	TREAD PATTERN	MAIN RANGE OF USE	RIM	PERMITTED RIMS	OD in/mm +/-1,5%	SW in/mm +/-2%	MAX. AIR PRESSURE psi	MAX. LOAD Lb/kg	SPEED mph (km/h)	RC in/mm +/-2,5%
3.50-6	4	T510	Farming	2.50A	2.50C	13.4/341	3.9/100	43	360/165	20 mph (30)	39.9/1013
	4	T513	Farming	2.50A	2.50C	13.3/338	3.9/98	43	360/165	20 mph (30)	39.5/1004
4.10/3.50-6	57J	T533 HS	High Speed	2.50A		12.6/320	3.7/94	65	510/230	60 mph (100)	37.4/950
4.00-6	6	T991	Farming	2.50A		14.1/358	4.3/108	62	550/250	20 mph (30)	41.9/1063
13x5.00-6	2	T537S TL	Green Area	3.50		12.6/320	4.4/112	35	290/132	20 mph (30)	37.4/949
	4	T539 TL	Green Area	3.50A		12.7/322	4.6/117	41	440/200	20 mph (30)	37.6/956
	6	T539 TL	Industrial	3.50A		12.6/320	4.8/122	59	550/250	20 mph (30)	38.9/989
	4	T510 TL	Farming	3.50A		12.8/326	4.7/119	41	440/200	20 mph (30)	38.1/968
	6	T510	Farming	3.50A		12.8/326	4.7/119	59	550/250	20 mph (30)	37.6/955
NEW 15x6.00-6	2/38A6	GARDENER TL	Green Area	3.50		12.8/325	4.7/120	20	290/132	20 mph (30)	
	4	T510 TL	Green Area/Farming	4.50A		14.5/368	6.3/160	30	570/257	20 mph (30)	43/1093
	6	T510	Farming	4.50A		14.4/366	6.4/162	55	740/335	20 mph (30)	42.8/1087
NEW 100/65-6	4	T539 Grip TL	Green Area/Farming	4.50A		14.6/370	6.3/161	29	500/225	20 mph (30)	43.3/1099
	2/45A6	GARDENER TL	Green Area	4.50		14.3/363	6.4/163	14	360/165	20 mph (30)	
120/70-6	41A8/29A8	T463 Plus TL	Farming	3.50		12.6/320	4.5/114	29	320/145	25 mph (40)	38/964
140-6	6	T539	Farming	4.50A		12.9/328	5.4/137	62	570/260	20 mph (30)	38.3/974
	6	T510	Industrial	4.50A		12.8/325	5.3/134	101	1430/650	16 mph (25)	38/965
	10	T510	Industrial	4.50A		13.4/340	5.6/143	138	1720/780	16 mph (25)	39.5/1004

TIRES 8"

SIZE	PR/LI	TREAD PATTERN	MAIN RANGE OF USE	RIM	PERMITTED RIMS	OD in/mm +/-1.5%	SW in/mm +/-2%	MAX. AIR PRESSURE psi	MAX. LOAD Lb/kg	SPEED mph (km/h)	RC in/mm +/-2.5%
3.00-8	2	T539 Grey	Industrial	2.50A	2.10	14.1/358	3.4/86	35	310/140	16 mph (25)	41.9/1063
3.50-8	4	T510	Farming	2.50A	2.10	15.4/392	4/101	41	420/190	20 mph (30)	45.8/1164
	4	T513	Farming	2.50A	2.10	15.7/399	3.9/98	41	420/190	20 mph (30)	46.7/1185
	56J	T501 HS	High Speed	2.50A	2.1	15.4/390	3.8/96	62	490/224	60 mph (100)	45.9/1167
4.00-8	4	T63	Farming	2.50A	3.00	16.8/427	4.2/106	41	500/225	20 mph (30)	50.3/1277
	4	T510	Farming	2.50A	3.00	16.7/425	4.5/114	41	500/225	20 mph (30)	48.7/1236
	4	T991	Farming	2.50A	3.00	16.4/416	4.3/108	41	500/225	20 mph (30)	48.7/1236
	4	T513	Farming	2.50A	3.00	16.8/426	4.2/107	41	500/225	20 mph (30)	50/1271
	6	T991	Farming	2.50A	3.00	16.4/416	4.1/105	62	640/290	20 mph (30)	48.5/1233
	6	T522	Farming	2.50A	3.00	16.9/430	4.3/110	62	640/290	20 mph (30)	49.8/1265
	8	T523	Industrial	2.50	3.00/3.75	16.5/418	4.8/123	130	1480/670	16 mph (25)	48.8/1240
	8	T523 POMA TL	Ropeway	3.75	2.50/3.00	16.2/412	4.7/119	36	440/200	20 mph (30)	
	71J	T49 HS	High Speed	2.50A	3.00	16.7/423	4.8/121	91	760/345	60 mph (100)	48.9/1241
5.00-8	6	T991	Farming	3.00		18.5/470	5.4/138	52	850/387	20 mph (30)	54.5/1384
	6	T522	Farming	3.00		17.7/450	5.1/130	52	850/387	20 mph (30)	52.6/1337
	78J	T523 HS	High Speed	3.00		18.4/467	5.7/146	77	940/425	60 mph (100)	53.8/1366
	10	T991	Farming	3.00		18/457	5.6/143	87	1140/515	20 mph (30)	54.3/1378
16x6.50-8	4	T539 Grip TL	Green Area	5.375I	5.50A	16/406	6.5/166	28	620/280	20 mph (30)	47.5/1206
	6	T539	Farming	5.375I	5.50A	16.1/410	6.9/174	43	800/365	20 mph (30)	48/1218
	69B	T510	Green Area/Farming	5.375I	5.50A	16.3/413	6.8/173	36	720/325	30 mph (50)	48.1/1221
	84A8/80B	T510	Agricola	5.375I	5.50A	16/413	6.8/173	74	1100/500	25 mph (40)	
NEW	2/49A6	GARDENER TL	Green Area	5.375		16.3/414	6.6/168	14	410/185	20 mph (30)	
16.5x6.50-8	64J	T539 HS TL	High Speed	5.375	5.50A	16.2/411	6.5/165	45	620/280	60 mph (100)	48.2/1224
	73J	T539 HS TL	High Speed	5.375I	5.50A	16.1/408	6.8/172	70	800/365	60 mph (100)	47.7/1212
16x7.50-8	4	T537 TL	Green Area/Farming	5.375	5.50A	16.9/430	7.1/180	30	740/335	20 mph (30)	49.8/1265
NEW	4/70A6	T539 TL	Green Area	5.375I	5.00A	16.5/420	7/179	26	740/335	20 mph (30)	48.8/1240
18x7.50-8	2	T539 TL	Green Area/Farming	5.50	6.00	18.3/464	7.2/184	13	540/243	20 mph (30)	54/1372
18x8.50-8	4	T539 TL	Green Area/Farming	7.00I	6.50	18.6/472	8.7/222	22	830/375	20 mph (30)	55.2/1402
	6	T539	Farming	7.00I	6.50	18.3/466	8.7/222	41	1050/475	20 mph (30)	54.5/1384
	6	T510	Farming	7.00I	6.50	18.2/463	8.9/225	41	1050/475	20 mph (30)	54.5/1384
	8	T570 TL	Skid Steer	7.00I		17.7/450	8.4/213	46	1280/580	9 mph (15)	
	8	T415 TL	Industrial	7.00I	6.50	17.7/450	8.4/213	46	1280/580	9 mph (15)	53/1347
NEW	2/58A6	GARDENER TL	Green Area	7.00		17.9/455	8.4/214	10	520/236	20 mph (30)	53.1/1350
18x9.50-8	4	T521 GT TL	Áreas verdes	7.00I		17.9/455	9.4/240	25	1040/470	16 mph (25)	53.1/1348
NEW	4/82A6	DRIVER TL	Green Area	7.00		18.3/465	9.3/235	25	1050/475	20 mph (30)	53/1347
NEW	20x8.00-8	T539 TL	Green Area	6.00		20.1/515	8.5/215	22	930/420	20 mph (30)	59.7/1517
20x10.00-8	4	T539 GT TL	Green Area	8.50	8.00	21.1/536	10.5/267	22	1200/545	20 mph (30)	62.2/1580
	6	T539	Farming	8.50	8.00	20.8/529	10.4/264	35	1480/670	20 mph (30)	61.3/1556
NEW	2/71A6	GARDENER TL	Green Area						In preparation		
170/60-8	47A8/35A8	High Grip TL	Industrial	5.375		16/407	6.7/171	17	390/175	25 mph (40)	47/1195
190-8	8	T537	Industrial	5.50	6.00	16.7/424	6.9/175	86	1270/575	16 mph (25)	49.8/1265
200/65-8	59A8/47A8	High Grip TL	Industrial	5.375	6.50	17.9/455	8.1/205	17	540/243	25 mph (40)	53.5/1360
210/60-8	83A8	T415 TL	Industrial	7.00	6.50	17.9/455	8.3/212	46	1070/487	25 mph (40)	53/1347
215/65-8	85A8/73A8	T510 TL	Farming	7.00I	18x8.50/9.50	18.3/464	8.7/222	41	1140/515	25 mph (40)	54.4/1382
220/45-8	70A8/58A8	T510	Industrial	7.00I	18x8.50/9.50	16.1/410	8.7/220	35	740/335	25 mph (40)	47/1195
220/60-8	74A8/62A8	T463 Plus TL	Farming	7.00I	8.00	18.7/476	8.7/220	28	830/375	25 mph (40)	54.8/1392

TIRES 9"

SIZE	PR/LI	TREAD PATTERN	MAIN RANGE OF USE	RIM	PERMITTED RIMS	OD in/mm +/-1.5%	SW in/mm +/-2%	MAX. AIR PRESSURE psi	MAX. LOAD Lb/kg	SPEED mph (km/h)	RC in/mm +/-2.5%
6.00-9	6	T522	Farming	4.50	4.00E	22/560	6.9/174	44	1100/500	20 mph (30)	65.6/1665
	10	T522	Farming	4.00E	4.50	22.2/564	6.5/164	72	1480/670	20 mph (30)	65.9/1675
	10	T991	Farming	4.00E	4.50	21.3/542	7.2/182	72	1480/670	20 mph (30)	63.4/1610
	99J	T523 HS	High Speed	4.00E	4.50	22.1/562	6.7/170	123	1710/775	60 mph (100)	65.7/1669

TIRES 10"

SIZE	PR/LI	TREAD PATTERN	MAIN RANGE OF USE	RIM	PERMITTED RIMS	OD in/mm +/-1.5%	SW in/mm +/-2%	MAX. AIR PRESSURE psi	MAX. LOAD Lb/kg	SPEED mph (km/h)	RC in/mm +/-2.5%
4.40-10	62J	T690 HS	High Speed	3.50		18.7/476	4.6/118	51	580/265	60 mph (100)	55.7/1414
5.0-10	8	T462 TL	Farming	4.00	3.50	21.1/537	5.7/144	75	1480/670	20 mph (30)	61.9/1571
7.50-10	12	T991	Farming	5.50F	6.00F	26.4/670	8.8/224	72	2370/1075	20 mph (30)	78.3/1990
	14	T523 TL	Industrial	5.50F		26.3/668	8.9/225	130	4180/2180	16 mph (25)	78.1/1984
9.00-10	14	T991 TL	Industrial	6.00F		29.2/742	10.2/260	120	5860/2660	16 mph (25)	104.7/2660
18x8.50-10	8	T570 TL	Skid Steer	7.00I		18.4/468	8/204	46	1200/545	9 mph (15)	54.8/1391
20x8.00-10	4	T539 GT TL	Green Area	6.00I	7.00	20.2/512	8/204	25	910/412	20 mph (30)	59.9/1521
	6	T539 TL	Farming	6.00I		19.9/505	8/204	42	1290/585	20 mph (30)	59.1/1500
	8	T570 TL	Skid Steer	6.00I		19.9/505	8.2/208	49	1360/615	9 mph (15)	60.3/1532
20x10.00-10	6	T539 TL	Farming	7.00	8.50	20.2/512	9.5/242	35	1430/650	20 mph (30)	60.4/1533
21x8.00-10	4	T462 TL	Farming	6.00I		21.3/542	8.1/206	48	1570/710	20 mph (30)	63.4/1610
110/100-10	84A8/72A8	T560 ICE TL	Ropeway	3.00B		18.7/474	4.3/110	72	1100/500	25 mph (40)	55.9/1420
200/55-10	95A8	T430 TL	Farming	6.00	5.50/7.00	19.2/487	7.5/190	58	1520/690	25 mph (40)	57/1448
250/50-10	79A8/67A8	High Grip TL	Green Area	8.50		19.8/504	9.9/251	17	960/437	25 mph (40)	59.6/1515

TIRES 12"

SIZE	PR/LI	TREAD PATTERN	MAIN RANGE OF USE	RIM	PERMITTED RIMS	OD in/mm +/-1.5%	SW in/mm +/-2%	MAX. AIR PRESSURE psi	MAX. LOAD Lb/kg	SPEED mph (km/h)	RC in/mm +/-2.5%
4.00-12	4	T63 TL	Farming	3.00D	2.50C/3.00B	20.9/532	4.4/113	41	660/300	20 mph (30)	63.6/1615
6-12	4	T63 TL	Farming	4.00E	5.00	22.9/582	5.7/146	40	510/230	20 mph (30)	68.1/1729
10.0/75-12	10	T446 TL	Farming	9.00	7.00	27.2/690	10/255	57	2920/1325	20 mph (30)	80.7/2049
23x8.50-12	4	T463 TL	Farming	7.00	7JA	22.4/570	8.4/213	26	1100/500	20 mph (30)	66.9/1699
	10	T463 TL	Farming	7.00	7JA	22.5/572	8.4/214	58	2300/1045	20 mph (30)	67.6/1718
	6	T550 TL	Skid Steer	7.00I	7JA	23.2/589	8.3/211	49	1810/820	5 mph (10)	69/1752
	10	T539	Farming	7.00I	7JA	22.4/568	8.3/212	58	1980/900	20 mph (30)	66.4/1687
NEW	10	T539 Grey	Scissor lift	7.00		22.8/580	8.7/280	58	1980/900	20 mph (30)	69.2/1758
23x10.50-12	4	T463 TL	Farming	8.5	7JA	22.5/572	8.2/208	20	1320/600	20 mph (30)	67.1/1705
	10	T463 TL	Farming	7.00I	8.50I	22.6/574	10.7/272	52	2200/1000	20 mph (30)	67.1/1705
	4	T539 TL	Green Area/Farming	7.00I	8.50I	22.8/580	10.6/269	20	1210/550	20 mph (30)	67.8/1723
	6	T539 TL	Farming	7.00	8.50	22.5/571	9.7/247	32	1760/800	20 mph (30)	66.9/1699
	6	T539 GREY TL	Industrial	7.00	8.50	22.5/571	9.7/247	32	1760/800	20 mph (30)	66.9/1699
NEW	4/91A6	DRIVER TL	Green Area	7.00		22.8/580	9.3/236	20	1360/615	20 mph (30)	67.7/1719
NEW	6/100A6	DRIVER TL	Green Area	7.00		22.8/580	9.4/238	32	1760/800	20 mph (30)	67.7/1720
23x12.50-12	6	T539 TL	Green Area	10	10.50I	23/584	12.5/317	42	2040/925	20 mph (30)	68.3/1734
26x12.00-12	4	T539 TL	Green Area	10.50I	9.50JA	25.9/658	12.7/322	20	1760/800	20 mph (30)	76.2/1936
	8	T539 TL/TT	Farming	10.50I	9.50JA	25.7/652	12.6/320	39	2540/1150	20 mph (30)	76.2/1936
	4	T411 TL	Green Area/Farming	10.50I	9.50JA	25.4/646	12.5/318	20	1760/800	20 mph (30)	75.6/1919
	8	T411 TL	Green Area/Farming	10.50JA	9.50JA	25.4/646	12.6/319	39	2540/1150	20 mph (30)	74.8/1901
	4	T463 TL	Farming	10.50I	9.50JA	25.7/654	12.5/318	20	1760/800	20 mph (30)	76.5/1942
	8	T463 TL	Farming	10.50I	9.50JA	25.7/654	12.5/318	39	2540/1150	20 mph (30)	76.5/1942
	4	T439 TL	Farming	10.50I	9.50JA	25.2/639	12.5/317	20	1760/800	20 mph (30)	76/1931
220/60-12 (23x8.50-12)	88A8/76A8	T539 Soft Grip TL	Green Area	7.00I	7JA	22.8/578	8.8/224	29	1230/560	25 mph (40)	68.3/1736
300/65-12	118A8	T446 TL	Farming	9.00		27/687	11.9/303	38	2760/1250	20 mph (30)	80.3/2040
320/60-12	132A8	T421 TT/TL	Farming	10.50I		27.1/689	12.6/320	58	4410/2000	25 mph (40)	80.7/2049
560x140-12	100A4	T528	Snow Groomer	3.00B		21.9/556	5.6/143	116	1760/800	20 mph (30)	67.1/1705

TIRES 13"

SIZE	PR/LI	TREAD PATTERN	MAIN RANGE OF USE	RIM	PERMITTED RIMS	OD in/mm +/-1,5%	SW in/mm +/-2%	MAX. AIR PRESSURE psi	MAX. LOAD Lb/kg	SPEED mph (km/h)	RC in/mm +/-2,5%
23x5(5.00-13)	10	T94 TL	Industrial	4.50	3.75	25/635	6.1/155	123	3310/1500	15 mph (25)	75.3/1913
610x145-13	112A4	T528	Snow Groomer	4.00		24/609	5.9/150	109	2470/1120	13 mph (20)	73.1/1856

TIRES 14"

SIZE	PR/LI	TREAD PATTERN	MAIN RANGE OF USE	RIM	PERMITTED RIMS	OD in/mm +/-1,5%	SW in/mm +/-2%	MAX. AIR PRESSURE psi	MAX. LOAD Lb/kg	SPEED mph (km/h)	RC in/mm +/-2,5%
645x160-14	120A4	T528	Snow Groomer	4JA		25.4/645	6.3/160	101	3090/1400	13 mph (20)	76.9/1953

TIRES 14.5"

SIZE	PR/LI	TREAD PATTERN	MAIN RANGE OF USE	RIM	PERMITTED RIMS	OD in/mm +/-1,5%	SW in/mm +/-2%	MAX. AIR PRESSURE psi	MAX. LOAD Lb/kg	SPEED mph (km/h)	RC in/mm +/-2,5%
200/60-14.5	10	T448 Extra	Farming	6.75	8.00	24.4/620	8.1/206	72	2350/1065	20 mph (30)	72.5/1841
	10	T536	Farming	6.75	8.00	24.7/628	8/204	72	2350/1065	20 mph (30)	73.4/1865
	10	T522	Farming	6.75	8.00	24.6/624	9/228	72	2090/950	20 mph (30)	73.5/1866

TIRES 15"

SIZE	PR/LI	TREAD PATTERN	MAIN RANGE OF USE	RIM	PERMITTED RIMS	OD in/mm +/-1,5%	SW in/mm +/-2%	MAX. AIR PRESSURE psi	MAX. LOAD Lb/kg	SPEED mph (km/h)	RC in/mm +/-2,5%
7.00-15	6	TRACTION	Farming	4.50		28.7/730	6.9/175	36			84.3/2140
11L-15	12	T510 TL				In preparation					
NEW 29x12.50-15	4	T411	Green Area/Farming	10		29.3/743	12.1/308	19	1320/600	30 mph (50)	86.9/2207
29x13.50-15	4	T411	Green Area/Farming	10		28.8/731	13.1/334	17	1320/600	30 mph (50)	85.5/2171
31x15.50-15	8	T412 TL	Farming	13		32.2/818	15.8/402	45	2760/1250	30 mph (50)	95.6/2429
33x12.50-15	6	T413 TL	Green Area/Farming	10		33.3/846	12.6/320	28	2680/1215	30 mph (50)	98.9/2513
33x15.50-15	6	T412 TL	Green Area/Farming	13		33.1/842	15.6/395	22	2760/1250	30 mph (50)	98.5/2501
	8	T412 TL	Farming	13		33.1/842	15.6/395	29	3530/1600	30 mph (50)	98.5/2501
165-15	4	T510 TL	Farming	4.50		25.1/637	6.5/166	35	1020/462	20 mph (30)	74.5/1892
315/75-15	126A5	T539 TL	Industrial	10LB		32.9/835	13.4/340	28	3750/1700	16 mph (25)	100.4/2550
320/55-15	123A8	T559 Turf Grip	Green Area/Farming	10LB	9.00	28.7/730	12.6/320	41	3420/1550	25 mph (40)	86.2/2190
	133A8/121A8	T421 TL	Industrial	10LB	9.00	28.9/735	12.4/315	58	4540/2060	25 mph (40)	86.6/2200
400/50-15	135A8	T463 TL	Farming/Industrial	13LB		31.3/795	15.7/400		4810/2180	25 mph (40)	92.6/2351
380/60-15	114A8	T539 Soft Grip TL	Green Area/Farming	10	12	36.6/829	14.8/375	17.4	2600/1180	25 mph (40)	96.1/2440
690x180-15	100A8	TRACTION	Farming	4.50E		27/685	7/179	48	1760/800	25 mph (40)	80.1/2034

TIRES 16"

SIZE	PR/LI	TREAD PATTERN	MAIN RANGE OF USE	RIM	PERMITTED RIMS	OD in/mm +/-1,5%	SW in/mm +/-2%	MAX. AIR PRESSURE psi	MAX. LOAD Lb/kg	SPEED mph (km/h)	RC in/mm +/-2,5%
7.50-16	6	H700 TL	Agrícola	5.50F	6.00	31/787	8.3/210	33	1980/900	20 mph (30)	

TL = Tubeless.
LI = Load index.
RC = Rolling circumference = Calculated values.

Cross-ply Tires Twin Garden



T404 - T409

Specially designed for grass and sensitive ground conditions. Its soft casing design, considerate tread pattern and low ground pressure all contribute to no track formation and very little soil compaction. This tire is also flexible for both soft and hard surfaces.

TIRES 17.5"

SIZE	New tire		Tire in service		SLR in/mm	RC in/mm	RIM	TYPE	SPEED mph (km/h)	MAX. AIR PRESSURE psi	MAX. LOAD Lb/kg
	SW in/mm	OD in/mm	SW max in/mm	OD max in/mm							
NEW LI 400/55-17.5 108A8 T404	15.7/400	34.3/870	16.5/420	35.1/892	16.1/410	103.9/2640	AG11.75	TL	30 mph (50)	17	1980/900
									25 mph (40)	17	2200/1000
									16 mph (25)	17	2620/1190
									5 mph (10)	20	3090/1400

TIRES 22.5"

SIZE	New tire		Tire in service		SLR in/mm	RC in/mm	RIM	TYPE	SPEED mph (km/h)	MAX. AIR PRESSURE psi	MAX. LOAD Lb/kg
	SW in/mm	OD in/mm	SW max in/mm	OD max in/mm							
NEW LI 400/55-22.5 111A8 T404	15.7/400	39.4/1000	16.5/420	40.2/1021	17.9/455	118.1/3000	AG11.75	TL	30 mph (50)	17	2170/985
									25 mph (40)	17	2400/1090
									16 mph (25)	17	2870/1300
									5 mph (10)	20	3370/1530
NEW LI 500/45-22.5 117A8 T404	19.7/500	40/1015	20.8/528	40.9/1040	18.1/460	119.7/3040	AG16.00	TL	30 mph (50)	17	2560/1160
									25 mph (40)	17	2830/1285
									16 mph (25)	17	3370/1530
									5 mph (10)	20	3970/1620
NEW LI 500/60-22.5 126A8 T404	19.7/500	45.7/1160	20.8/528	46.9/1190	20.3/515	135/3430	AG16.00	TL	30 mph (50)	17	3370/1530
									25 mph (40)	17	3750/1700
									16 mph (25)	17	4460/2025
									5 mph (10)	20	5250/1620
NEW LI 560/45-22.5 125A8 T404	21.3/540	42.3/1075	22.4/570	43.3/1101	18.9/480	126/3200	AG16.00	TL	30 mph (50)	17	3270/1485
									25 mph (40)	17	3640/1650
									16 mph (25)	17	4330/1965
									5 mph (10)	20	5090/2310
560/60-22.5 134A8 T404	22/560	48.4/1230	23.1/586	50.3/1278	21.3/540	143.3/3640	AG16.00	TL	30 mph (50)	17	4210/1910
									25 mph (40)	17	4670/2120
									16 mph (25)	17	5570/2525
									5 mph (10)	20	6550/2970

TIRES 26"

SIZE	New tire		Tire in service		SLR in/mm	RC in/mm	RIM	TYPE	SPEED mph (km/h)	MAX. AIR PRESSURE psi	MAX. LOAD Lb/kg
	SW in/mm	OD in/mm	SW max in/mm	OD max in/mm							
23.1-26 145A8 T409	22.8/580	59.4/1510	24/610	60.8/1545	25.3/643	172/4369	DW20B	TL	25 mph (40)	20	6390/2290
									16 mph (25)	20	7100/3220
									5 mph (10)	20	9590/4350

TIRES 30.5"

SIZE	New tire		Tire in service		SLR in/mm	RC in/mm	RIM	TYPE	SPEED mph (km/h)	MAX. AIR PRESSURE psi	MAX. LOAD Lb/kg
	SW in/mm	OD in/mm	SW max in/mm	OD max in/mm							
600/60-30.5 142A8 T404	24/610	59.1/1500	24.8/630	60.5/1536	26/660	171.7/4360	AG20.00	TL	30 mph (50)	17	5260/2385
									25 mph (40)	17	5840/2650
									16 mph (25)	17	6960/3155
									5 mph (10)	20	8180/3710

Load data in the table is valid for only one tire only.
Reference speed, load and inflation pressure are shown in **bold**.

TL = Tubeless. Tubes are not suitable for use in Garden Tractor tires.

Tires for gentle service on green areas.

16 mph = 16 mph concerns service on green areas and road.
25 mph = 25 mph concerns service on road only.

Load Index

The Load Index (LI) is an international code, indicating the maximum load for a tire independent of its type or size.

LI	LB/KG	LI	LB/KG	LI	LB/KG
1	100/46	51	430/195	101	1810/825
2	100/47	52	440/200	102	1860/850
3	110/49	53	450/206	103	1920/875
4	110/50	54	460/212	104	1970/900
5	110/51	55	480/218	105	2030/925
6	120/53	56	490/224	106	2080/950
7	120/54	57	500/230	107	2140/975
8	120/56	58	520/236	108	2190/1000
9	130/58	59	530/243	109	2260/1030
10	130/60	60	550/250	110	2320/1060
11	130/61	61	560/257	111	2390/1090
12	140/63	62	580/265	112	2450/1120
13	140/65	63	600/272	113	2520/1150
14	150/67	64	610/280	114	2590/1180
15	150/69	65	640/290	115	2660/1215
16	160/71	66	660/300	116	2740/1250
17	160/73	67	670/307	117	2820/1285
18	160/75	68	690/315	118	2890/1320
19	170/77	69	710/325	119	2980/1360
20	180/80	70	730/335	120	3070/1400
21	180/82	71	760/345	121	3180/1450
22	190/85	72	780/355	122	3290/1500
23	190/87	73	800/365	123	3400/1550
24	200/90	74	820/375	124	3510/1600
25	200/92	75	850/387	125	3620/1650
26	210/95	76	880/400	126	3730/1700
27	210/97	77	900/412	127	3840/1750
28	220/100	78	930/425	128	3940/1800
29	230/103	79	960/437	129	4050/1850
30	230/106	80	990/450	130	4160/1900
31	240/109	81	1010/462	131	4270/1950
32	250/112	82	1040/475	132	4380/2000
33	250/115	83	1070/487	133	4510/2060
34	260/118	84	1100/500	134	4650/2120
35	270/121	85	1130/515	135	4780/2180
36	270/125	86	1160/530	136	4910/2240
37	280/128	87	1190/545	137	5040/2300
38	290/132	88	1230/560	138	5170/2360
39	300/136	89	1270/580	139	5330/2430
40	310/140	90	1310/600	140	5480/2500
41	320/145	91	1350/615	141	5640/2575
42	330/150	92	1380/630	142	5810/2650
43	340/155	93	1420/650	143	5970/2725
44	350/160	94	1470/670	144	6140/2800
45	360/165	95	1510/690	145	6360/2900
46	370/170	96	1560/710	146	6570/3000
47	380/175	97	1600/730	147	6740/3075
48	390/180	98	1640/750	148	6900/3150
49	410/185	99	1700/775	149	7120/3250
50	420/190	100	1750/800	150	7340/3350

Speed Index

The Speed Index (SI) is an international code indicating the maximum speed for which a tire is designed.

SI	Speed	SI	Speed	SI	Speed
A2	5 mph (10)	A7	22 mph (35)	E	43 mph (70)
A3	9 mph (15)	A8	25 mph (40)	F	50 mph (80)
A4	12 mph (20)	B	31 mph (50)	G	56 mph (90)
A5	16 mph (25)	C	37 mph (60)	J	62 mph (100)
A6	19 mph (30)	D	40 mph (65)	K	68 mph (110)

Wheels and Rims for Light Service Tires

The Trelleborg range of wheels and rims, is available from 3" to 16" in size and can be supplied in many different configurations depending on application, requirements for load capacity and several other values influencing the design.

The wheels and rims are designed with different specifications – ie. sizes, integral hubs, bearings, bores, offsets, plate thickness, paint finish etc. that match the performance requirements defined.

Rims and Wheels available

The table contains the product range available in terms of dimensions, widths and configurations. The columns welded/divided indicate whether the specific size of rim/wheel is available as welded version

and/or as assembled version. While the columns hub/bore indicate if the size (dimension/width) is available as wheel (hub) and/or rim (bore).

Rim/Wheel width	Dimension	Welded	Divided	Hub	Bore
1.50-3D	3 Inches		●	●	
2.10AX4	4 Inches	●		●	
2.10-4D	4 Inches		●	●	
2.50-4D	4 Inches		●	●	
2.75AX4	4 Inches	●		●	
6.35-4D	4 Inches		●	●	
3.00AX5	5 Inches	●		●	
2.50AX6	6 Inches	●		●	
2.50AX6	6 Inches	●			●
2.50-6D	6 Inches		●		●
3.25-6D	6 Inches		●		●
3.50AX6	6 Inches	●		●	
3.50AX6	6 Inches	●			●
3.50-6D	6 Inches		●		●
4.00AX6	6 Inches	●		●	
4.50AX6	6 Inches	●		●	
4.50AX6	6 Inches	●			●
4.50-6D	6 Inches		●	●	
4.50-6D	6 Inches		●		●
7.00AX6	6 Inches	●		●	
1.40-8D	8 Inches		●		●
2.125-8D	8 Inches		●	●	
2.125-8D	8 Inches		●		●
2.50AX8	8 Inches	●		●	
2.50AX8	8 Inches	●			●
2.50C-8D	8 Inches	●	●		●
3.00DX8	8 Inches	●		●	
3.00DX8	8 Inches	●			●
3.00D-8D	8 Inches		●	●	
3.00D-8D	8 Inches		●		●
3.75I-8D	8 Inches		●		●
4.25I-8D	8 Inches		●		●
4.33R-8D	8 Inches		●		●
4.375X8	8 Inches	●		●	
4.375X8	8 Inches	●			●
5.375-8D	8 Inches		●	●	

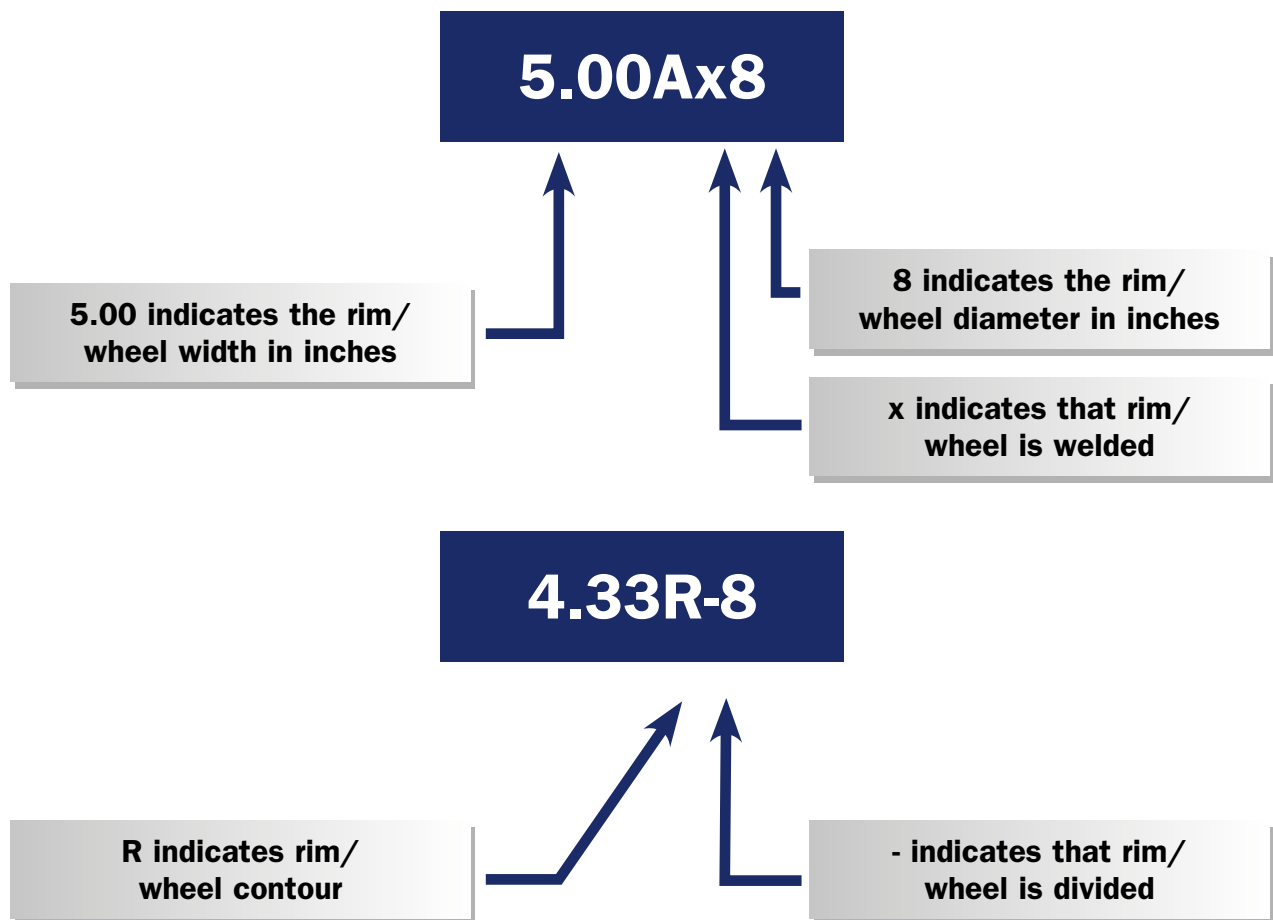
Rim/Wheel width	Dimension	Welded	Divided	Hub	Bore
5.375X8	8 Inches	●		●	
5.375X8	8 Inches	●			●
5.50-8D	8 Inches		●		●
5.50AX8	8 Inches	●		●	
5.50AX8	8 Inches	●			●
7.00X8	8 Inches	●		●	
7.00X8	8 Inches	●			●
7.00-8D	8 Inches		●		●
8.50AX8	8 Inches	●			●
4.00EX9	9 Inches	●		●	
4.00EX9	9 Inches	●			●
4.00-9D	9 Inches		●	●	
4.00-9D	9 Inches		●		●
6.00E-9D	9 Inches		●		●
3.00BX10	10 Inches	●			●
3.50X10	10 Inches	●		●	
3.50X10	10 Inches	●			●
5.00F-10	10 Inches		●	●	
5.00F-10	10 Inches		●		●
5.50F-10	10 Inches		●		●
5.50F-10	10 Inches		●	●	
6.00X10	10 Inches	●		●	
6.00X10	10 Inches	●			●
6.00-10	10 Inches		●		●
7.00X10	10 Inches	●			●
8.25X10	10 Inches	●			●
8.50X10	10 Inches	●			●
3.00X12	12 Inches	●		●	
3.00X12	12 Inches	●			●
4.00X12	12 Inches	●		●	
4.00X12	12 Inches	●			●
4.25X12	12 Inches	●		●	
4.25X12	12 Inches	●			●
5.00S-12	12 Inches		●		●
7.00X12	12 Inches	●		●	
7.00X12	12 Inches	●			●
9.00X12	12 Inches	●		●	
9.00X12	12 Inches	●			●
8.50X12	12 Inches	●			●
10.50X12	12 Inches	●			●
4.50X13	13 Inches	●		●	
5.50EX14	14 Inches	●		●	
5.50EX14	14 Inches	●			●
6.00JX14	14 Inches	●			●
6.75X14.5	14.5 Inches	●		●	
6.75X14.5	14.5 Inches	●			●
3.00JX15	15 Inches	●			●
4.00JX15	15 Inches	●		●	
4.00JX15	15 Inches	●			●
4.50JX15	15 Inches	●		●	
4.50JX15	15 Inches	●			●
5.00JX15	15 Inches	●			●
5.50JX15	15 Inches	●		●	
6.00JX15	15 Inches	●			●
9.00X15	15 Inches	●		●	
10.00LBX15	15 Inches	●			●
13.00LBX15	15 Inches	●			●
4.00EX16	16 Inches	●			●
5.50EX16	16 Inches	●			●
9.00EX16	16 Inches	●		●	

Technical information about rims and wheels

Size

The first figure specified for a rim or wheel indicates its width in inches. The last figure indicates its diameter in inches. The letter after the first figure indicates the

contour of the rim or wheel. The symbol after the letter indicates whether it has been assembled or welded.



The difference between a rim and a wheel

Rim

A rim consists of two drop-centered disc or two flat-based disc with a bore, welded or assembled.

The rim is fitted onto a hub and therefore it is vital that the diameter of the pitch circle of the stud holes is the same on the rim as on the hub.

The standard stud holes are pressed with a conical stud seat of 60°, 80° and 90° both for welded and assembled rims.

A wide range of bores are available so that rims can be supplied with a bore to meet your specific demands.



Wheel

A wheel consists of two drop-centered disc welded together or two flat-based disc assembled, and an integral hub.

A wide range of integral hubs is available making it possible also to place the hub in an offset position.



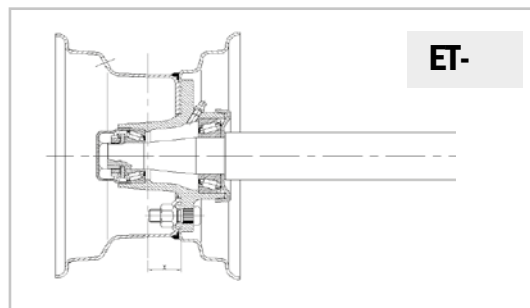
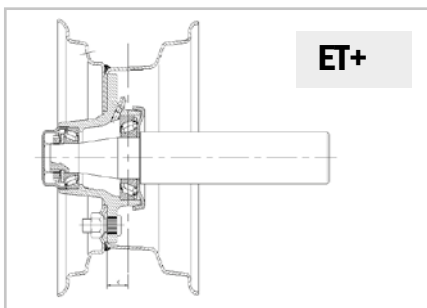
Offset

The offset is measured from the center of the rim/wheel to the hub side of the inner plate.

The offset can be positive (+) or negative (-).

Two more conditions must be fulfilled before we are able to make an offset. It is necessary that the dimension and the disc contour are the same on both disc.

Therefore wheels can be designed specifically for the functions required by your construction.



The paint finish

Trelleborg uses a fully automated phosphating and powder painting facility which gives the products a perfect finish and allows the choice of more than

fifty different RAL colors. Furthermore, there is the possibility to choose your own color outside this range when ordering a large number of units.

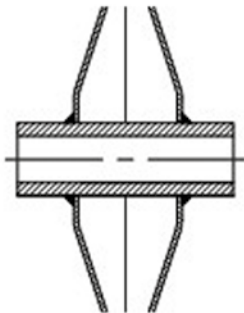
Integrated hub types

The integrated hubs are designed to match the axle specifications and the required load capacities.

The hubs can be designed with a number of

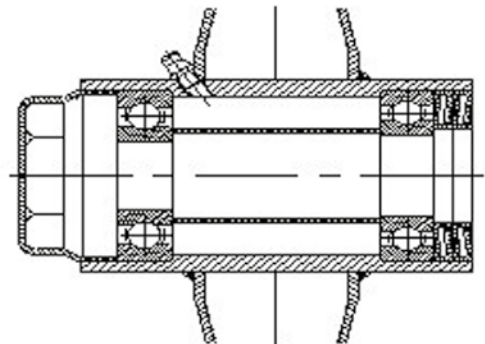
different bearings, lubrication nipples, stub axles, seals, caps, axles and other features or have a more plain design.

Examples of integrated hubs types available



Type of hub: hub PL

Bearing: none/with key-way



Type of hub: hub EK

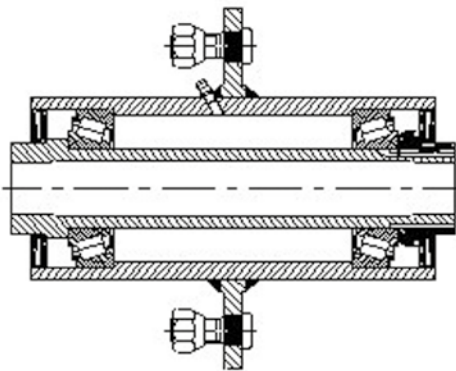
Bearing: ball bearing

Hub types and axles

Trelleborg also produces a wide range of hubs and stub axles (up to a length of 600 mm). The hubs are designed with a flange of different size and bores matching the rim specifications.

Furthermore the hubs can be designed with a number of different bearings, lubrication nipples, seals, caps, axles and other features.

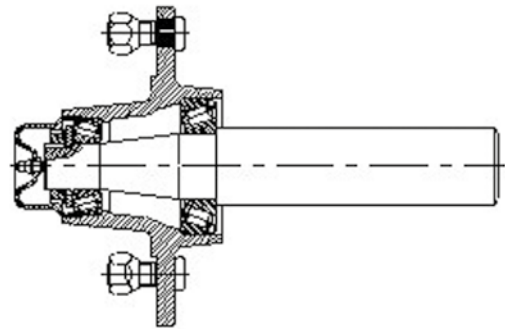
Examples of hubs available



Type of hub: hub GC

Hub for fork mounting.
Possible to get different sizes.

**Bearing: ball bearings
or tapered roller bearings**



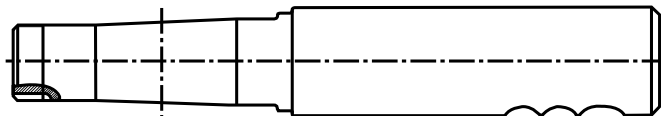
Type of hub: cast hub EC

Possible to get different sizes with
suitable axles.

**Bearing: ball bearings
or tapered roller bearings**

The axles produced are designed to match the hub of the wheel and the construction on which the axles are mounted.

Example of axles available



Trelleborg is available for information about design of wheels, rims, hubs and axles to match the requirements of your construction.



Trelleborg is a world leader in engineered polymer solutions that seal, damp and protect critical applications in demanding environments. Our innovative engineered solutions accelerate performance for customers in a sustainable way. The Trelleborg Group has local presence in over 40 countries around the world.

WWW.TRELLEBORG.COM/WHEELS



facebook.com/TrelleborgAgri
twitter.com/TrelleborgAgri
youtube.com/TrelleborgAgri
flickr.com/TrelleborgAgri
linkedin.com



Trelleborg Wheel Systems Americas, Inc.
Toll Free Phone Number: 1-866-633-8473
www.trelleborg.com/wheels/us